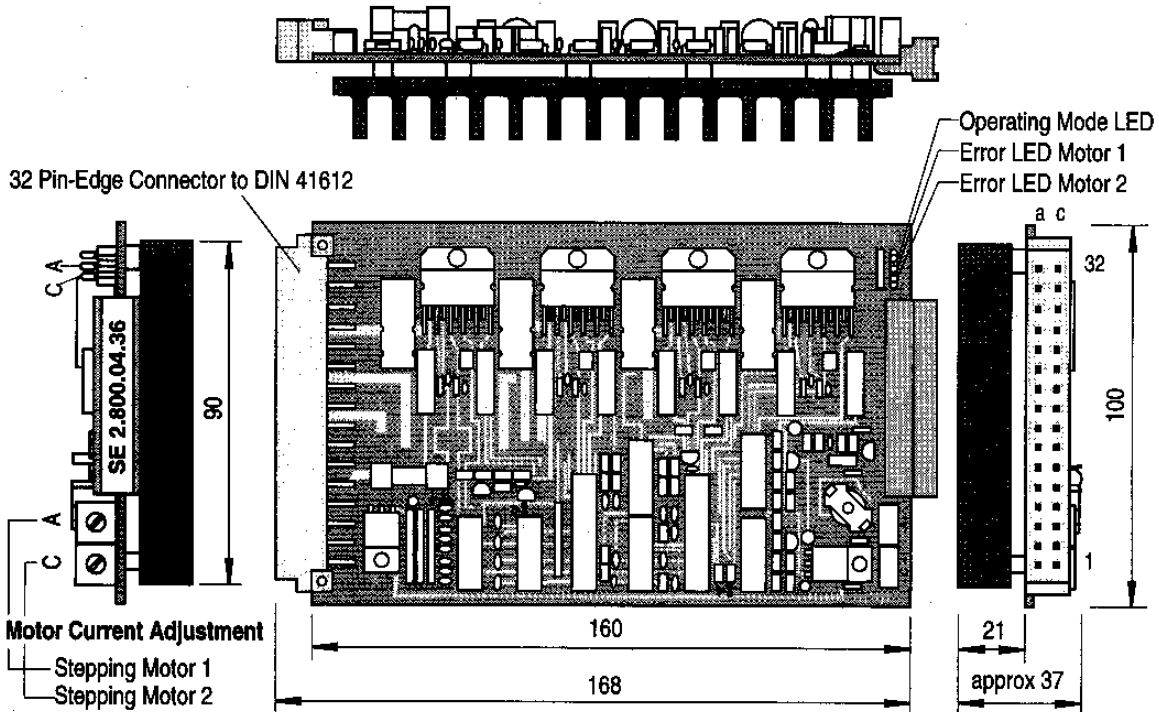


SE 2.800.04.36



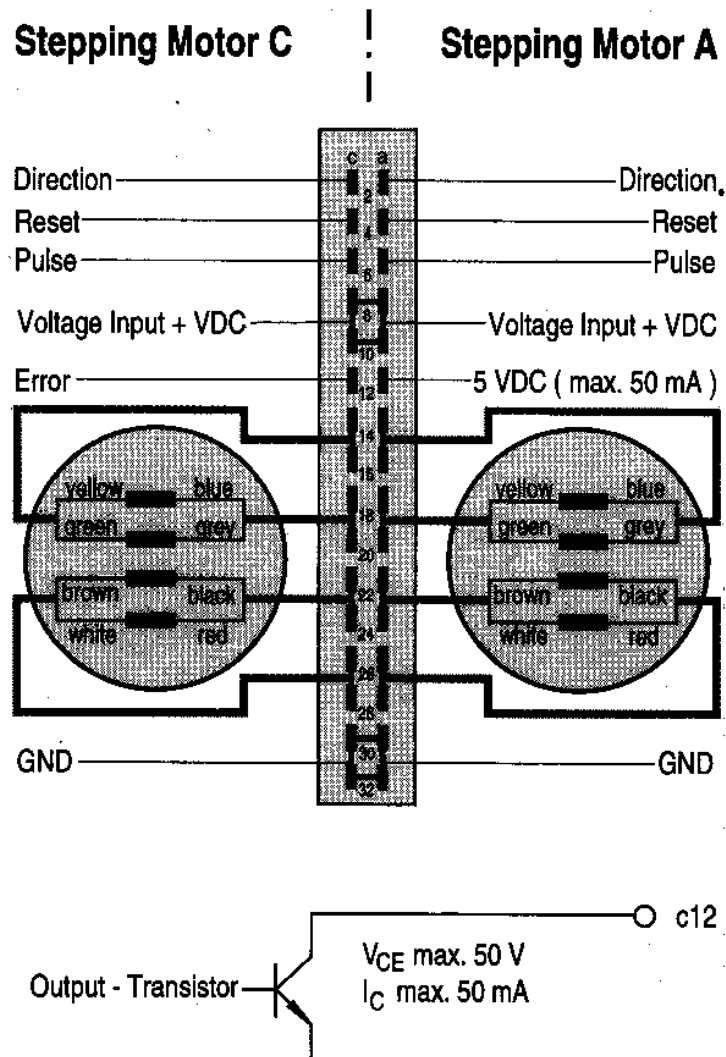
Zebotronics motion control amplifiers series SE 2.800.04.36 are two bipolar chopper amplifiers on one Eurocard format 100 x 160 mm. The amplifier suits to control 2 x 2-phase stepping motors up to 4 A/Ph. nominal current phase.

Features of the Motion Control Board SE 2.800.04.36 are:

- Selectable step angles of: 0,9 degree 400 step / revolution
0,45 degree 800 step / revolution
- Internal high frequency chopper.
- Equal static motor torques with high positioning accuracy at any step angle position.
- High dynamic motor characteristic in connection with STÖGRA stepping motors.
- Simple and cost effective mounting. The motion control amplifier can be mounted in any broad mounting system (e.g. 3 HE 19 ") or wall mounting systems. The drive needs one supply voltage and each 4 leads for both stepping motors.
- During operation a common (red LED) functions. Short circuit and under voltage errors are indicated (yellow LED) for each axis separately.

Pin Connection

for connecting two stepping motors



For both Stepping Motors apply:

Input Connections:

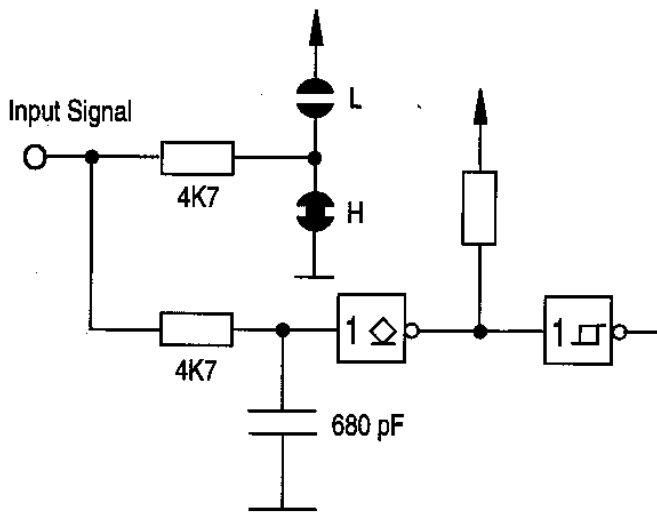
- Direction** = Selection of direction by the external control.
- Reset** = Active input activates the drive to its base position.
A pulse signal will be ignored. Error sign is reseted.
- Pulse** = Active input the edge of one pulse activates one motor step.

All non used inputs may stay open, there is no need to connect to external potential.

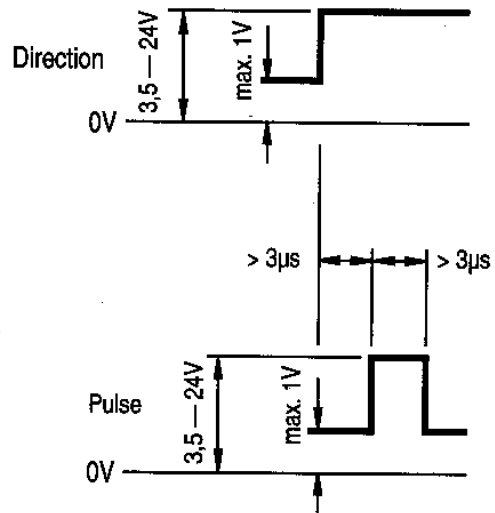
Output Connections:

- Error** = In the case of undervoltage or short circuit the out-put transistor will be open.
Closed is no error.
- 5 VDC** = Controlled constant voltage out-put
Capable till max. 50 mA

Input Wiring



Input Signals

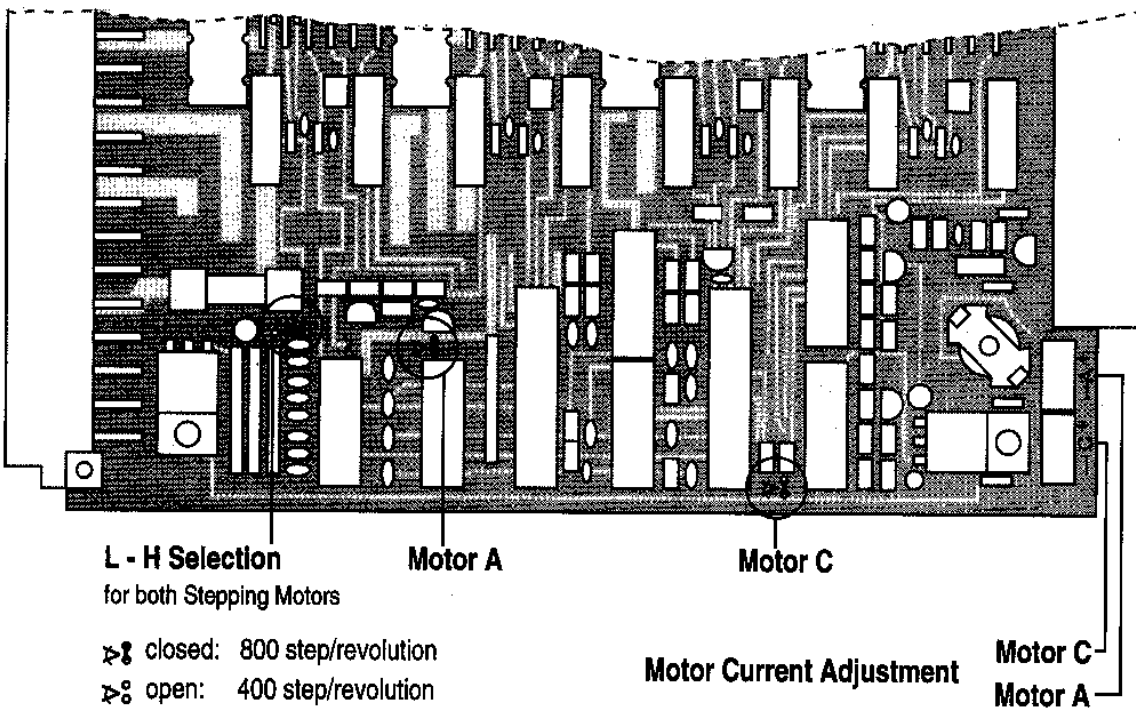


Input signals »reset« and »pulse« always the rising side of the pulse is executed.

L-H Selectable:

In the **standard design** bridge »H« is closed and »L« open.
Ripping up the marking »H« and **closing** »L« the inputs are for open-collector activated.
 For both drives only one selection is needed.

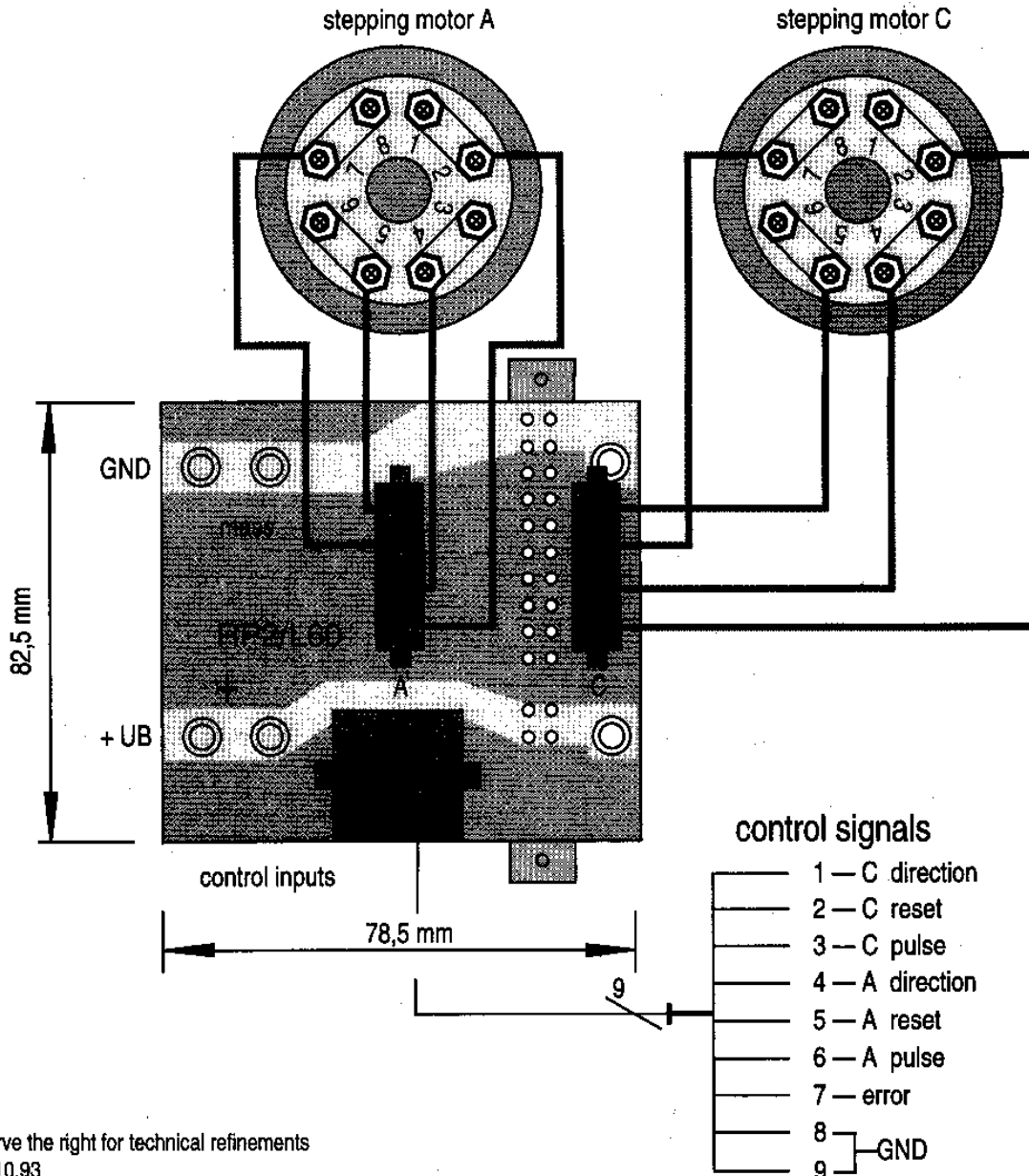
Adjustments:



Technical Features SE 2.800.04.36:

voltage characteristic:	24 VDC — 36 VDC (± 20%)
current:	max. 4 A/Ph.
automatic current reduction:	50%
ambient temperature:	0 °C — 50 °C
step revolution:	400 / 800
dimensions:	100 x 168 x 25 mm
weight:	250g

Bus type: RP2 / L60 for SE 2.800.04.36



We reserve the right for technical refinements
Edition: 10.93
Printed: BRD 004EG

STÖGRA ANTRIEBSTECHNIK GMBH

Machtlfinger Strasse 24
D-81379 München

Tel.: +49-89-15904000
Fax.: +49-89-15904009

E-Mail: info@stoegra.de
Internet: www.stoegra.de